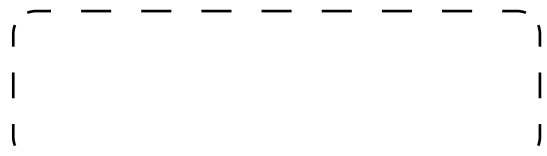


# Garage Door Opener

Installation Instructions and User Guide

S/N	
-----	--





# Table Of Contents

1. Important safety recommendations 01

2. Important safety for button or coin cell battery 03

3. Pre-installation recommendations 04

4. Installation instructions 05

5. Manual disengagement for C-rail opener 13

6. Maintenance 14



**WARNING**

Please read the manual carefully before installation and use.

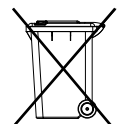
The installation of your new door opener must be carried out by a technically qualified or licensed person.

Attempting to install or repair the door opener without suitable technical qualification may result in severe personal injury, death and / or property damage.

# 1. Important safety recommendations

Failure to comply with the following safety recommendations may result in serious personal injury, death and / or property damage.

1. Please read carefully and adhere to all safety and installation recommendations.
2. The opener is designed and manufactured to meet local regulations. The installer must be familiar with local regulations required in respect of the installation of the opener.
3. Unqualified personnel or those persons who do not know the occupational health and safety standards being applicable to automatic gates and other doors, must in no circumstances carry out installations or implement systems.
4. Persons who install or service the equipment without observing all the applicable safety standards will be responsible for any damage, injury, cost, expense or claim whatsoever any person suffered as a result of failure to install the system correctly and in accordance with the relevant safety standards and installation manual whether directly or indirectly.
5. For additional safety we strongly recommend the inclusion of Photo Beam. Although the opener incorporates a pressure sensitive Safety Obstruction Force system the addition of Photo Beam will greatly enhance the operating safety of an automatic garage door and provide additional peace of mind.
6. Make sure that the garage door is fully open & stationary before driving in or out of the garage.
7. Make sure the garage door is fully closed & stationary before leaving.
8. Keep hands and loose clothing off the opener and garage door all the time.
9. The Safety Obstruction System is designed to work on STATIONARY objects only. Serious personal injury, death and / or property damage may occur if the garage door comes into contact with a moving object.
10. This appliance is not intended for use by persons (including children) with reduced physical, sensory or mental capabilities, or lack of experience and knowledge, unless they have been given supervision or instruction concerning use of the appliance by a person responsible for their safety. Children should be supervised to ensure that they do not play with the appliance.
11. Waste electrical products should not be disposed of with household waste. Please recycle where facilities exist. Check with your local authority or retailer for recycling advice.



12. If the supply cord is damaged, it must be replaced by the manufacturer, its service agent or similarly qualified persons in order to avoid a hazard.

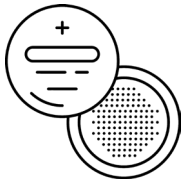
- WARNING: Important safety instructions. It is important for the safety of persons to follow all instructions. Save these instructions.
- Do not allow children to play with door controls. Keep remote controls away from children.
- Watch the moving door and keep people away until the door is completely opened or closed.
- Take care when operating the manual release since an open door may fall rapidly due to weak or broken springs, or being out of balance.
- Frequently examine the installation, in particular check cables, springs and mountings for signs of wear, damage or imbalance. Do not use if repair or adjustment is needed since a fault in the installation or an incorrectly balanced door may cause injury.
- Each month check that the drive reverses when the door contacts a 50 mm high object placed on the floor. Adjust if necessary and recheck since an incorrect adjustment may present a hazard, for drives incorporating an entrapment protection system depending on contact with the bottom edge of the door.
- Details on how to use the manual release.
- Information concerning the adjustment of the door and drive.
- Disconnect the supply when cleaning or carrying out other maintenance.
- The installation instructions shall include details for the installation of the drive and its associated components.

## 2. Important safety for button or coin cell battery

### 1. WARNING



**WARNING**



**This product contains a button or coin cell battery**

### 2. The battery is hazardous and must be kept out of reach of children

The battery can cause severe or fatal injuries within 2 hours or less if swallowed or placed inside any part of the body.

If you suspect the battery has been swallowed or placed inside any part of the body, **SEEK IMMEDIATE** medical attention.

### 3. Transmitter Battery Replacement

3.1 Remove the fixing screws located on the underside of the Hand-Held Transmitter.

3.2 Open the 2 halves of the Transmitter shell and replace the battery with one of identical specification.

3.3 Test that the Red Coloured Indicator lamp illuminates when one of the Transmitter buttons is pressed and then replace the fixing screws.

### 4. Wall Switch-Wireless Battery Replacement

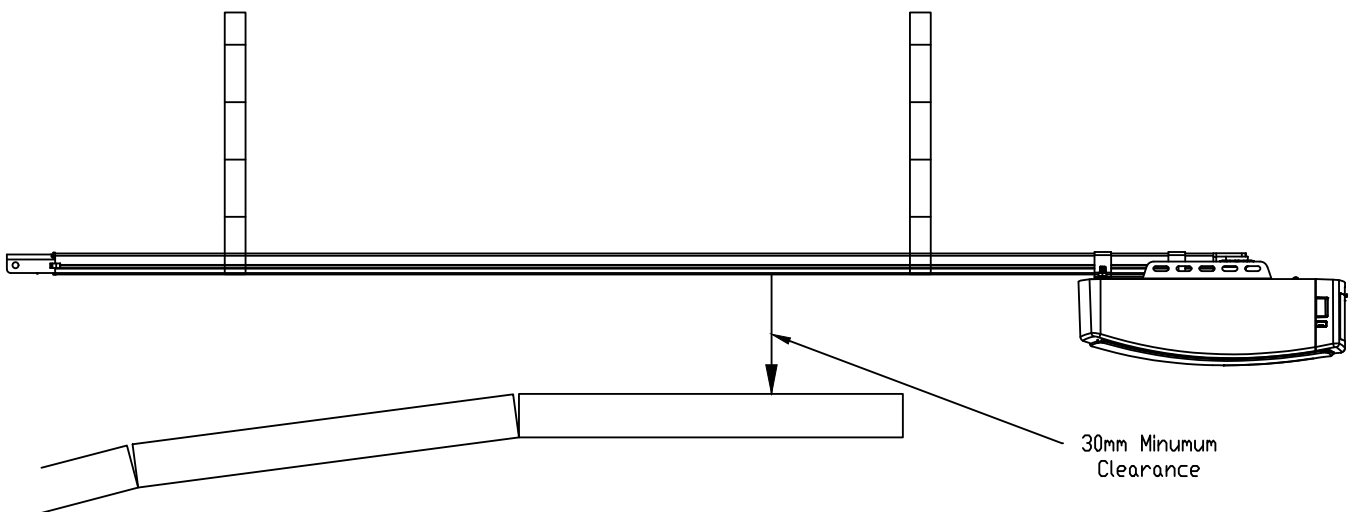
4.1 Remove the cover plate while the unit is still mounted to the wall by sliding and twisting a straight screwdriver in the slot provided on the top and underside of the wall plate.

4.2 Use a small Phillips Head Screwdriver remove the 4 screws holding the switches in place.

4.3 Replace the battery with one of identical specification.

## 3. Pre-installation recommendations

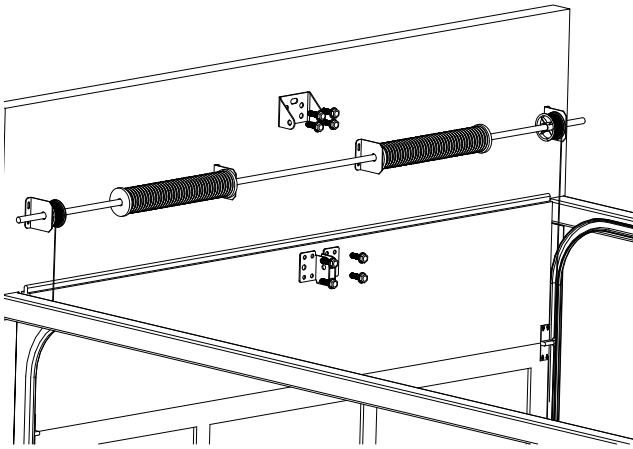
1. Garage door must be able to be lifted and closed easily by hand and without much effort. A well balanced & sprung door is critical for proper installation.
2. The garage door opener can't compensate for a badly installed garage door and should not be used as a solution for a "hard to open" door.
3. If the unit is being installed on an existing door, make sure any existing locking devices are removed or warranty will be void.
4. An approved outlet must be installed near where the opener is begin installed.
5. There should be a minimum gap of 30mm between the bottom of the chain drive rail and the top of the garage door at its closest point.  
Important note: As for additional safety rules, we strongly recommends the fitting of Photo Electric safety beams on all installations.





## 4. Installation instructions

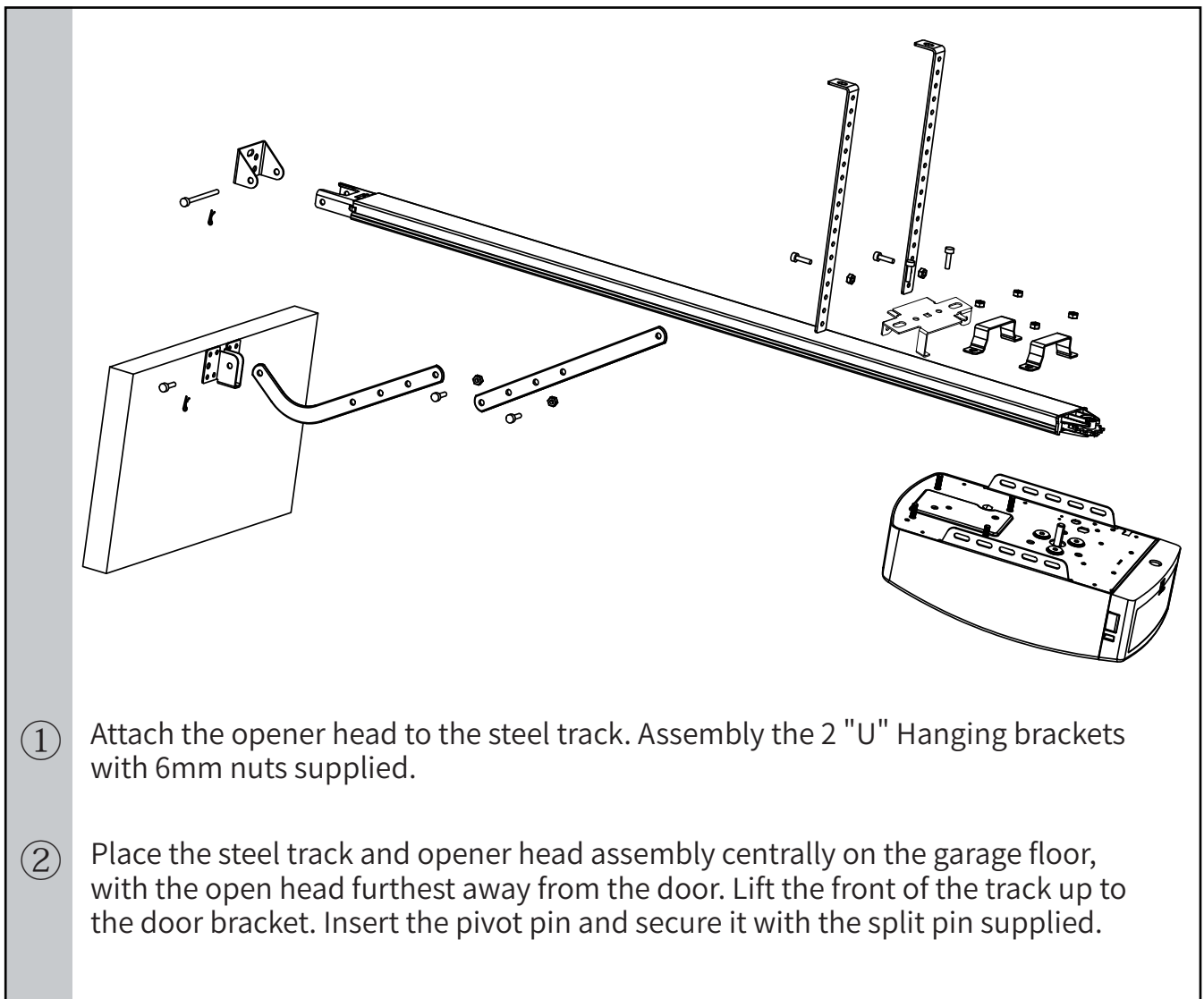
### Mount wall bracket and door bracket



**Wall Bracket** - Close the garage door and measure the garage door width at the top and mark the centre. Locate and mount the wall bracket 2cm-15cm above the door on the inside wall. (Depend on the actual installation space).

**Door Bracket** - Fix the door bracket to a structural part of the door as close to the top edge as possible.

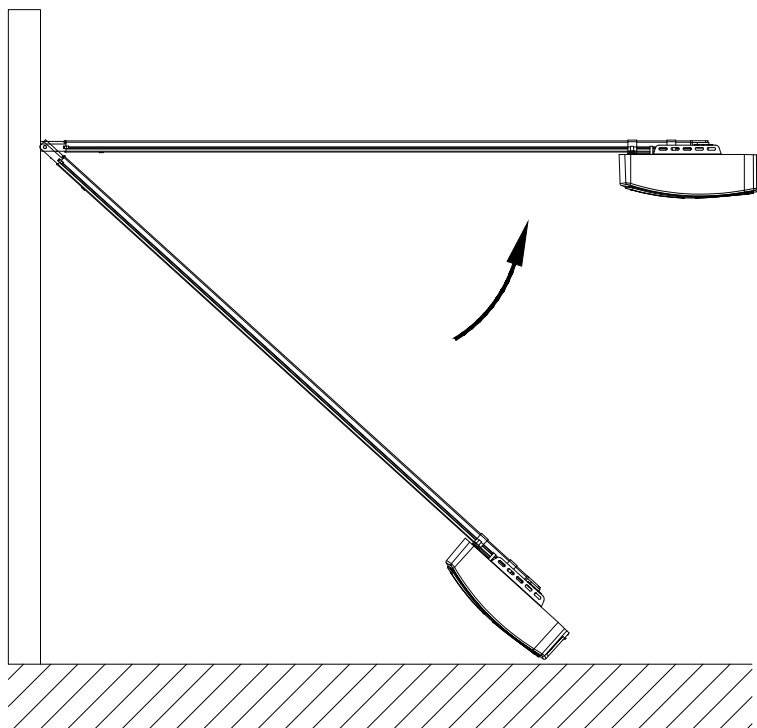
### Installation (Steel C-Rail)



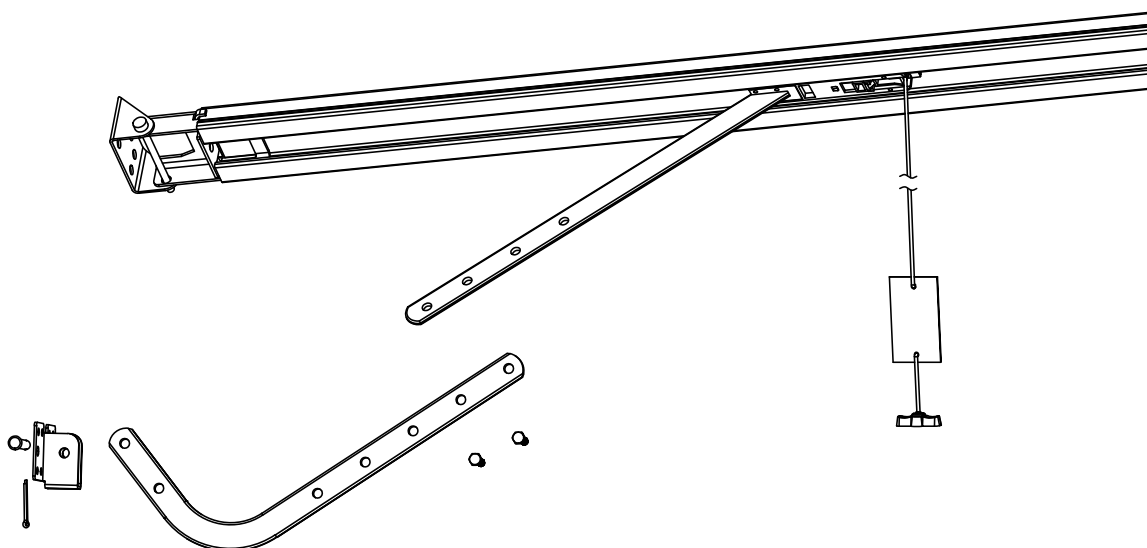
- ① Attach the opener head to the steel track. Assemble the 2 "U" Hanging brackets with 6mm nuts supplied.
- ② Place the steel track and opener head assembly centrally on the garage floor, with the open head furthest away from the door. Lift the front of the track up to the door bracket. Insert the pivot pin and secure it with the split pin supplied.

③

Lift and support the opener head (with a ladder) so it is positioned centrally and level. Fix the opener and track on ceiling by Iron bracket A & B.



④



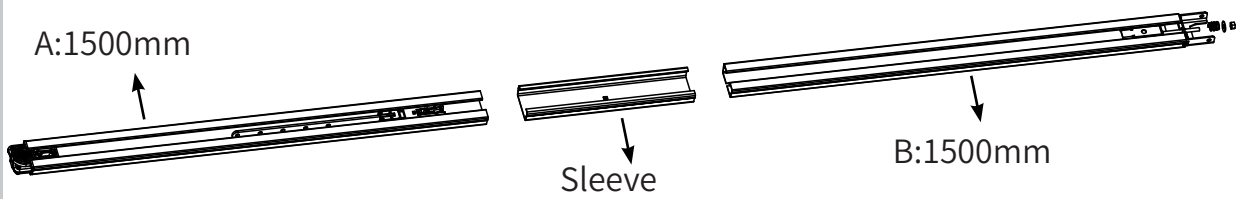
**WARNING:** Do not allow children around the door, opener or supporting ladder serious injury and/or damage may result from failure to follow this warning.

Connect the straight arm to the bent arm with the bolt. Position and bolt the arms to the top edge of the door using the bolt supplied.

⑤

Lift the garage door until the shuttle locks into the drive chain/belt. Now, ready to program the openers.

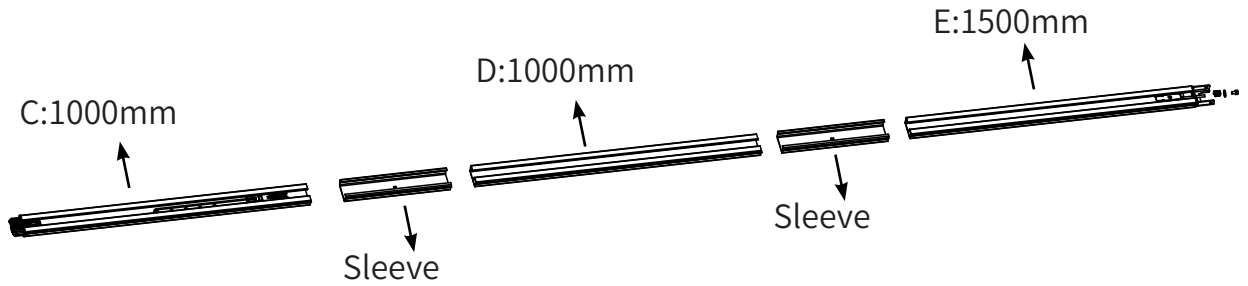
# Sectional steel C-rail assembly



## 2-Parts Steel Track

Slide the A rail into the sleeve, slide the B rail into the sleeve.

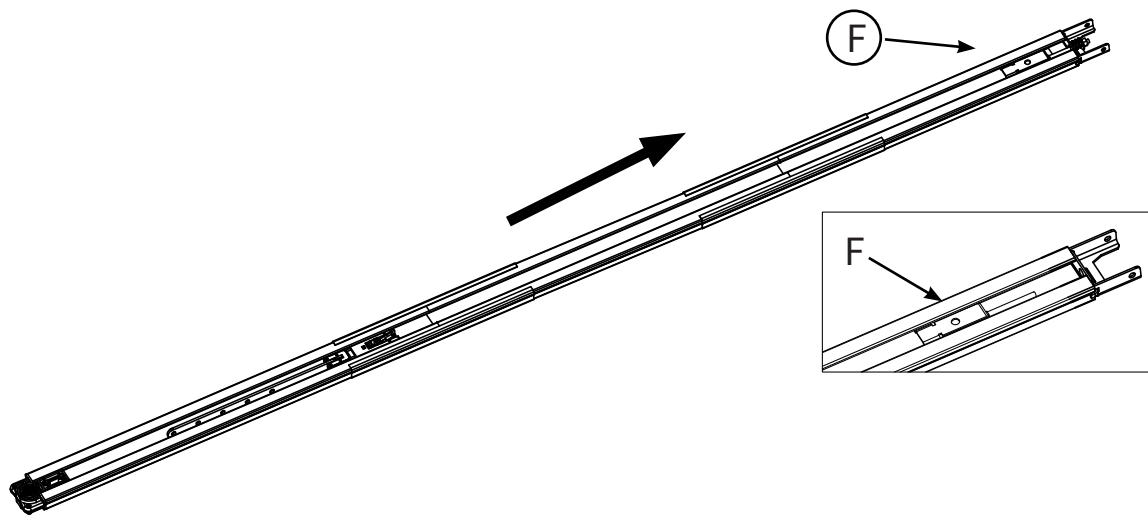
①



## 2-Parts Steel Track

Slide the C rail into the sleeve, slide the D rail into the sleeve; slide the E rail into the sleeve.

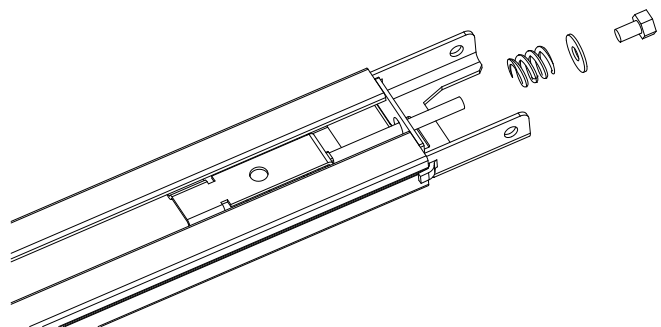
②



Cut the plastic thread; pull the screw rod along with inner chain to the end rail position.

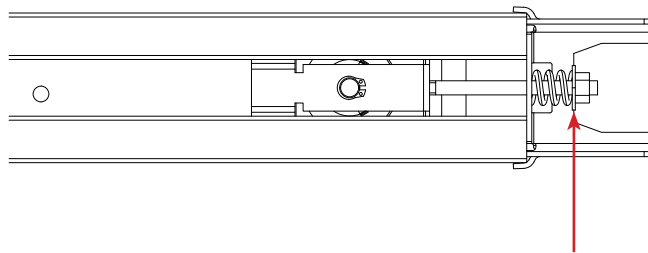
③

Release the nut & spring



④

Tight the nut to the right position as shown, cut the plastic tape, cut the plastic thread on sprocket, then whole rail assembled finished.



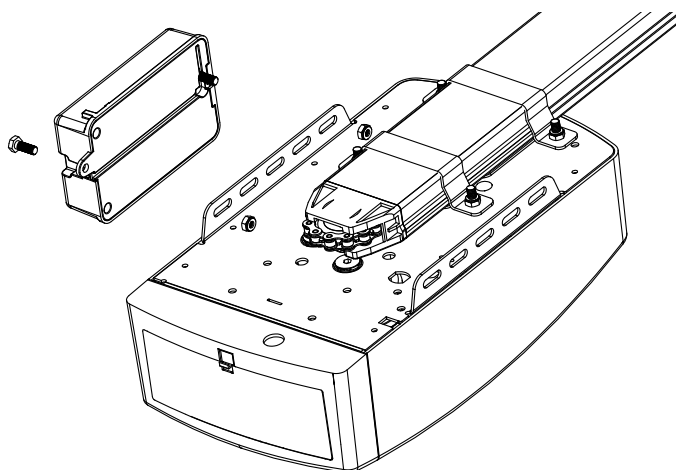
## Battery backup assembly for c-rail (optional)

Please choose the installation method according to the actual situation.

Side fixed (for lithium battery, metal base motor)

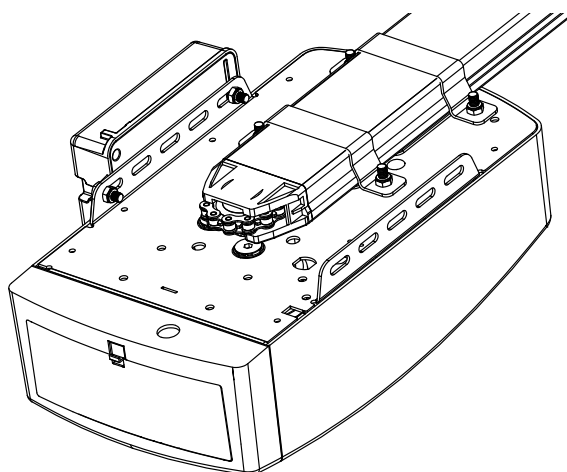
①

Screw the bracket



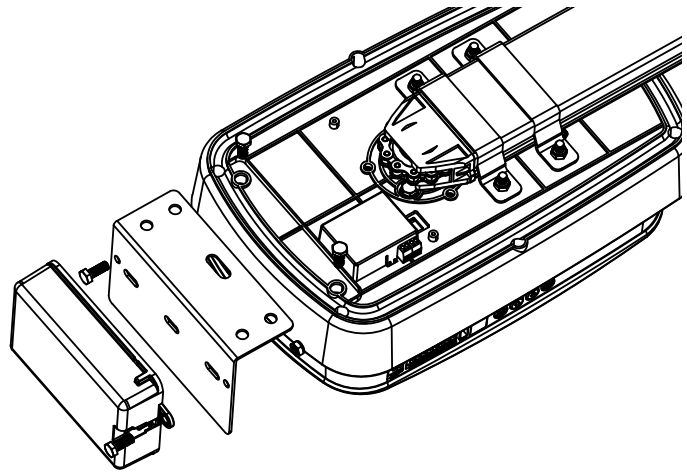
②

Fix the battery to the bracket with screws.

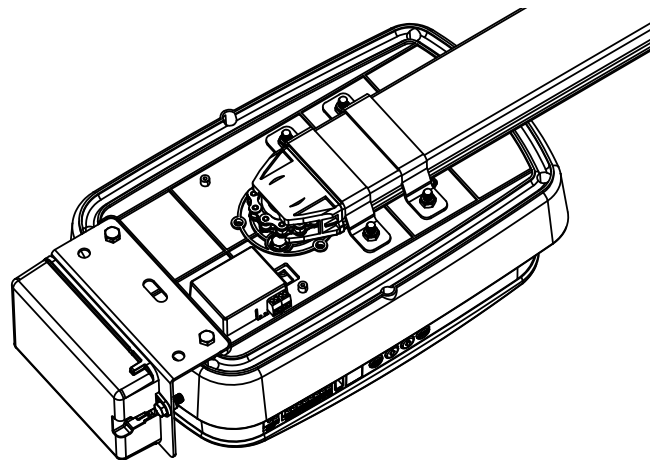


## Rear fixed(for lithium battery, plastic base motor)

① Screw the bracket

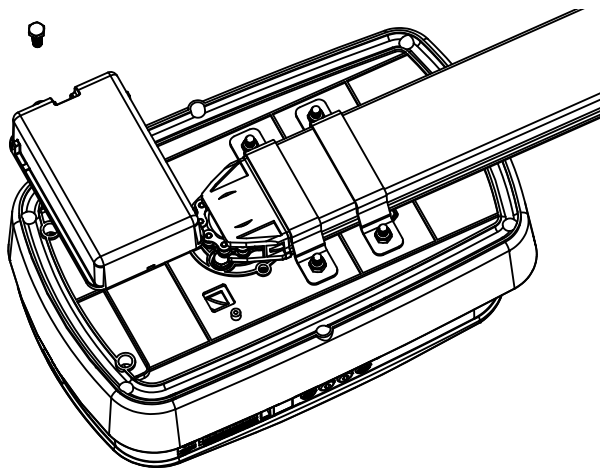


② Fix the battery to the bracket with screws.

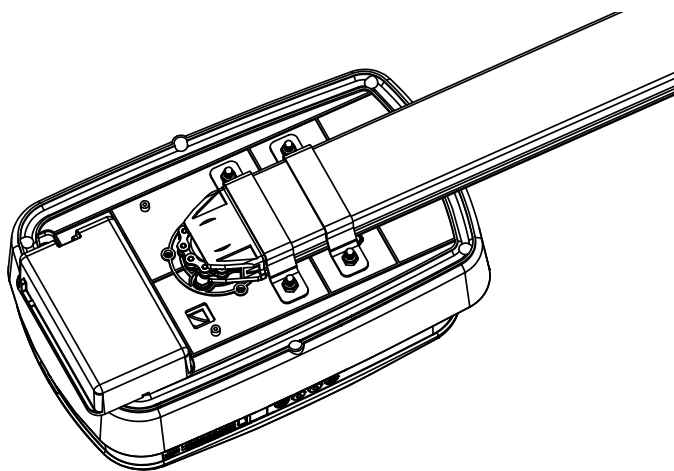


## Top fixed (for lithium battery, plastic base motor)

① Screw the bracket



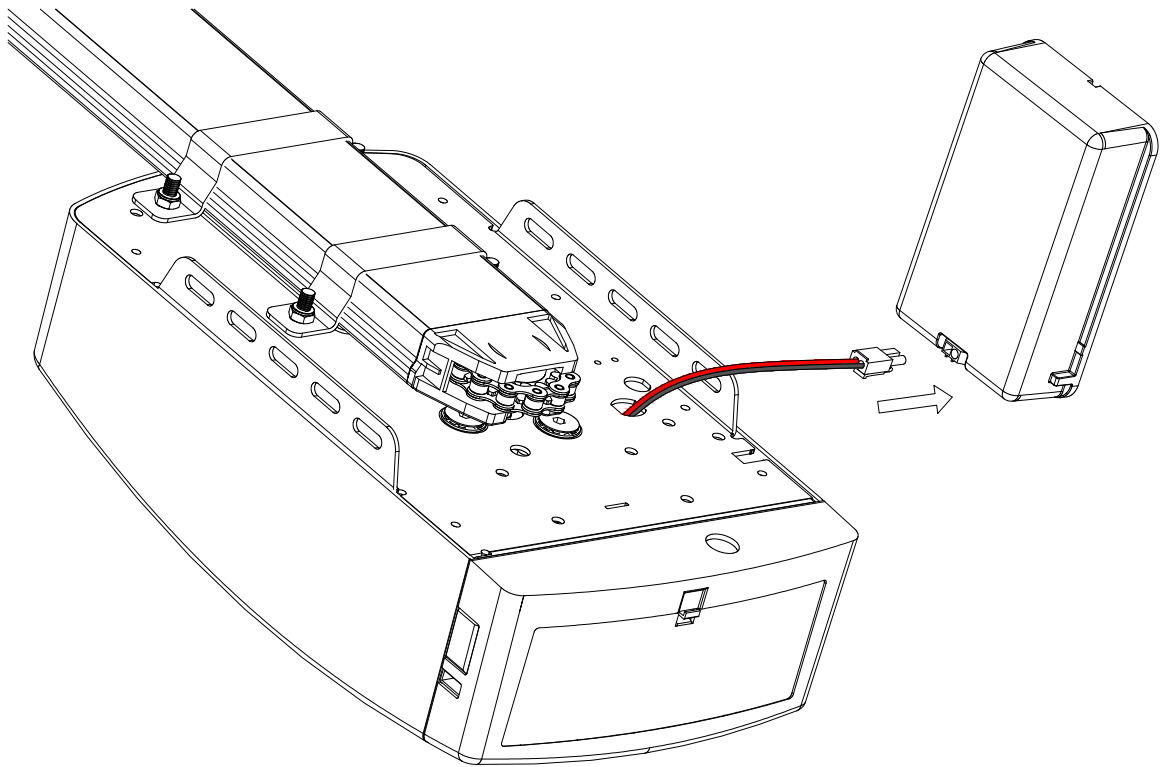
② Fix the battery to the bracket with screws.



## Battery connection instructions (optional accessory)

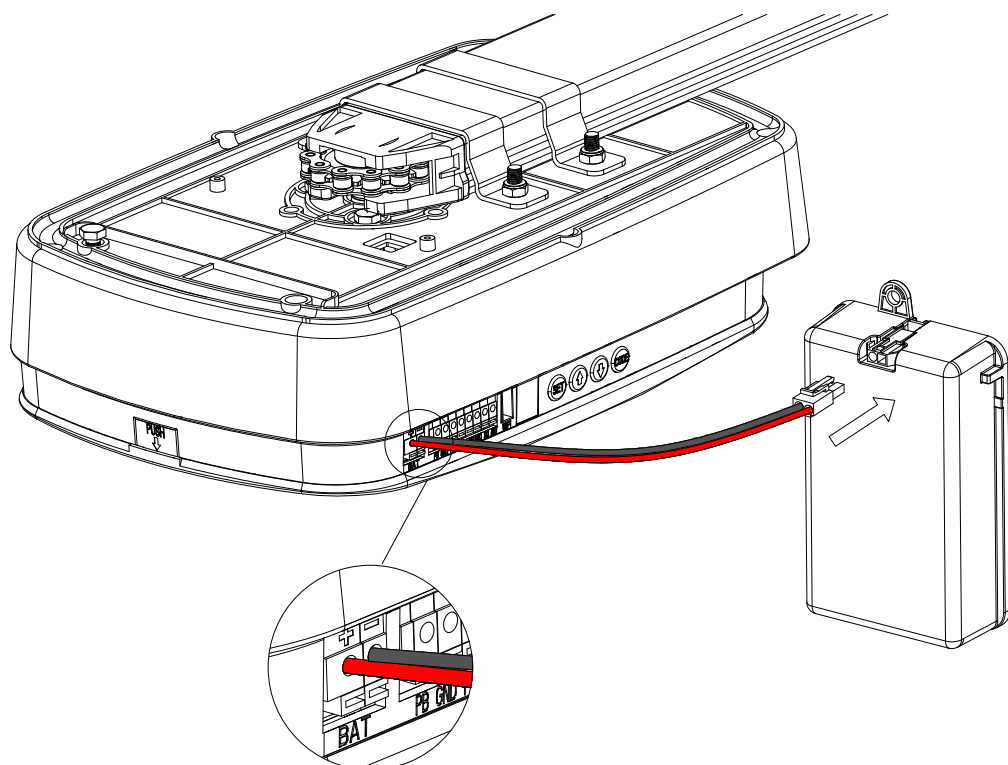
### 1: Pre-assembled battery wire connection

Connect the pre-assembled battery wire from the motor to the battery(Male and female)



### 2: Separate assembled battery wire connection

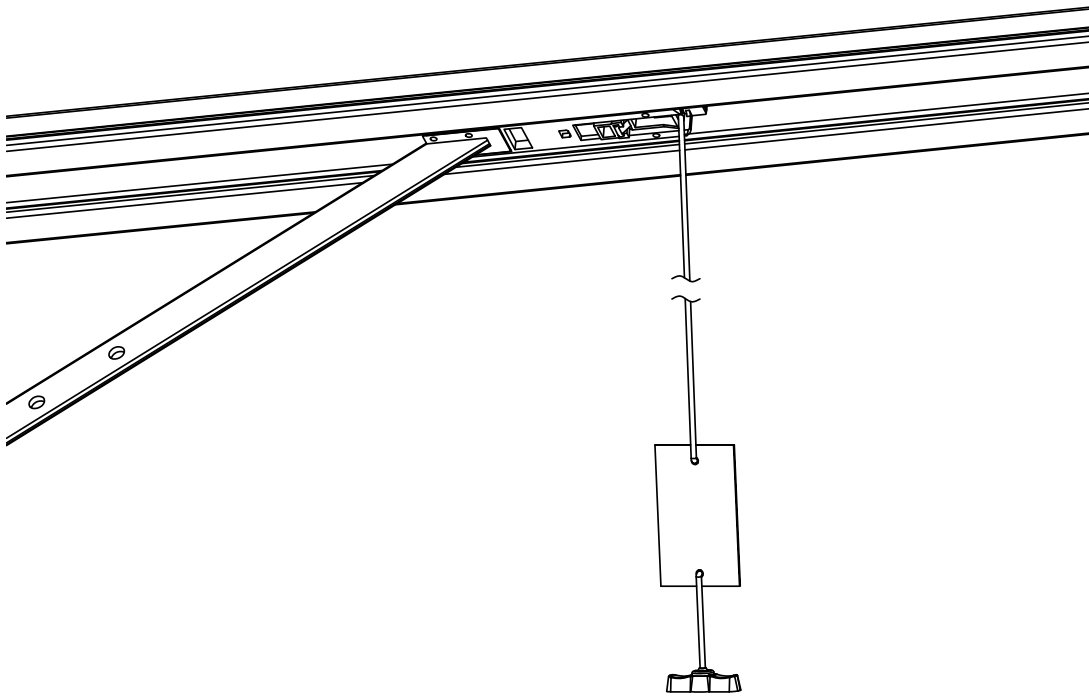
Part of the motor battery port connection - schematic diagram, as shown below



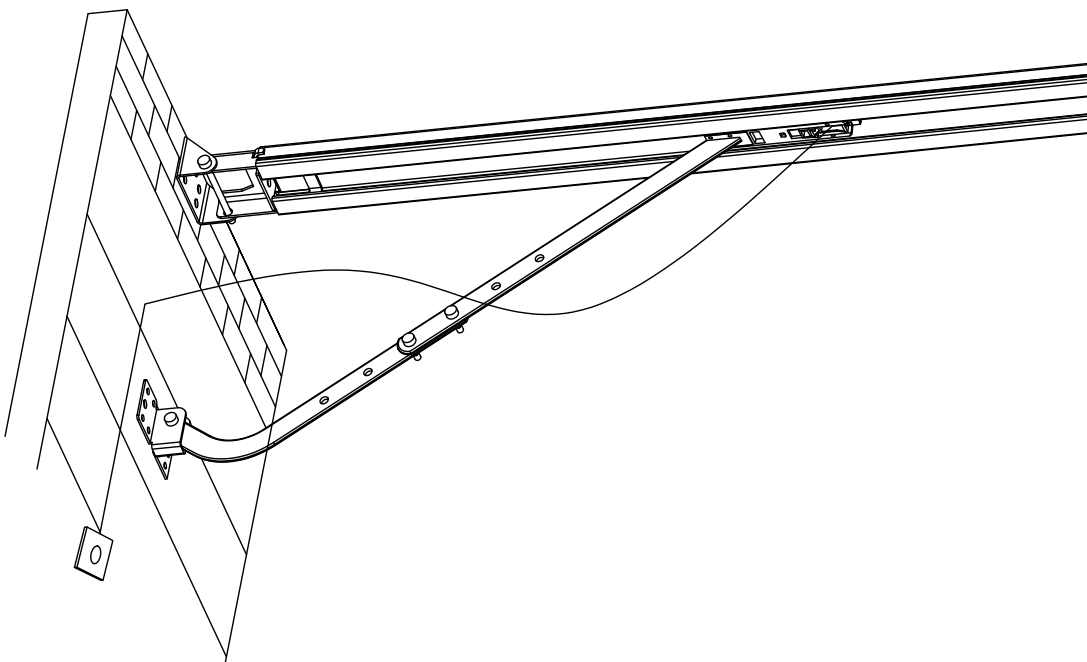
1. Get the extra battery wire from the motor carton box.
2. Connect the battery wire from the motor to the battery (Male and female)  
Red battery wire connected to "+" pole  
Black battery wire connected to "-" pole



## 5. Manual disengagement for C-rail opener



The opener is equipped with a manual release cord to disengage shuttle and move door by hand while holding the handle down. Pull on the handle to disengage the shuttle. To re-engage the door simply run opener in automatic mode or move door by hand until the trolley engages in the chain shuttle.



In some situations that a pedestrian door is not in state, it is recommended that an external disengagement device should be fitted.

## 6.Maintenance

1. No particular maintenance is required for the logic circuit board.

Check the door at least twice a year if it is properly balanced, and all working parts are in good working condition or not.

Check the reversing sensitivity at least twice a year, and adjust if it is necessary.

Make sure that the safety devices are working effectively (photo beams, etc.)

2. Regarding the maintenance alarm function:

LED light flashes 10 times quickly means the door lost balance, strong recommend the maintenance for garage doors. "Check" the status, or "Re-learn" the travel limit after maintenance alarm cautions.

**Notice:** A rude operating door can affect the life of the automatic opener due to incorrect loads, and will avoid the warranty.